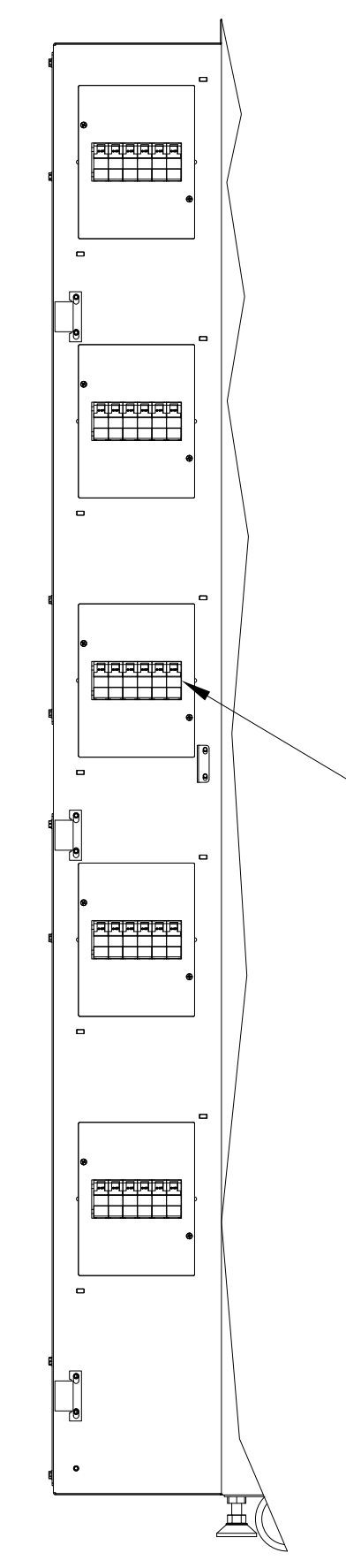
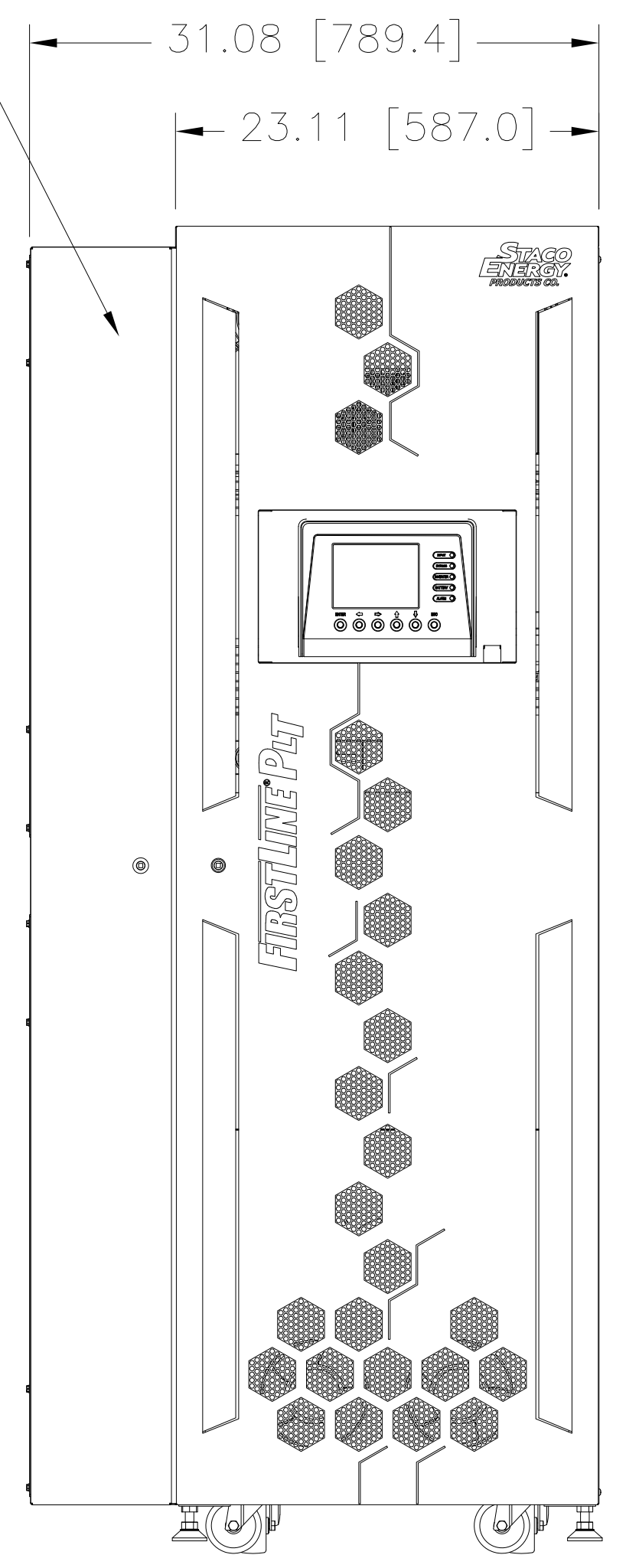
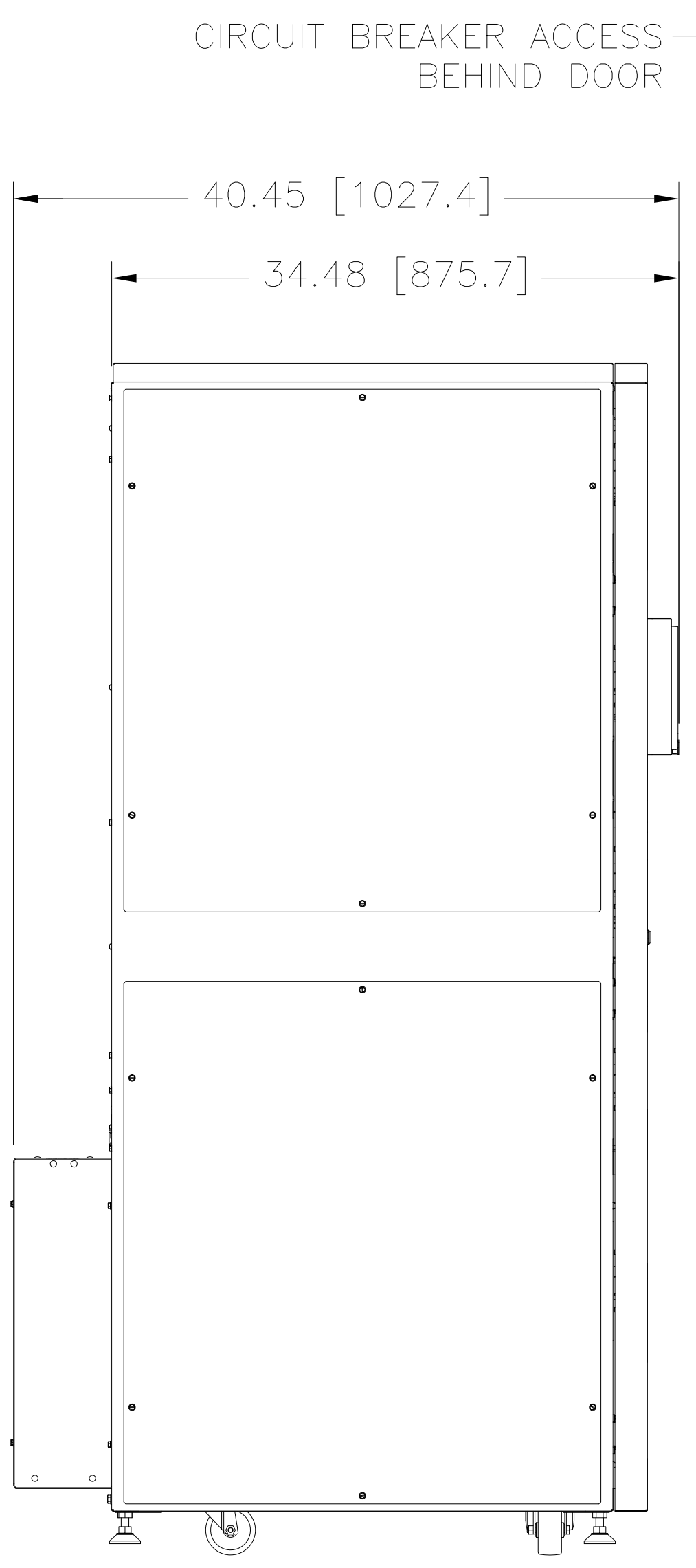
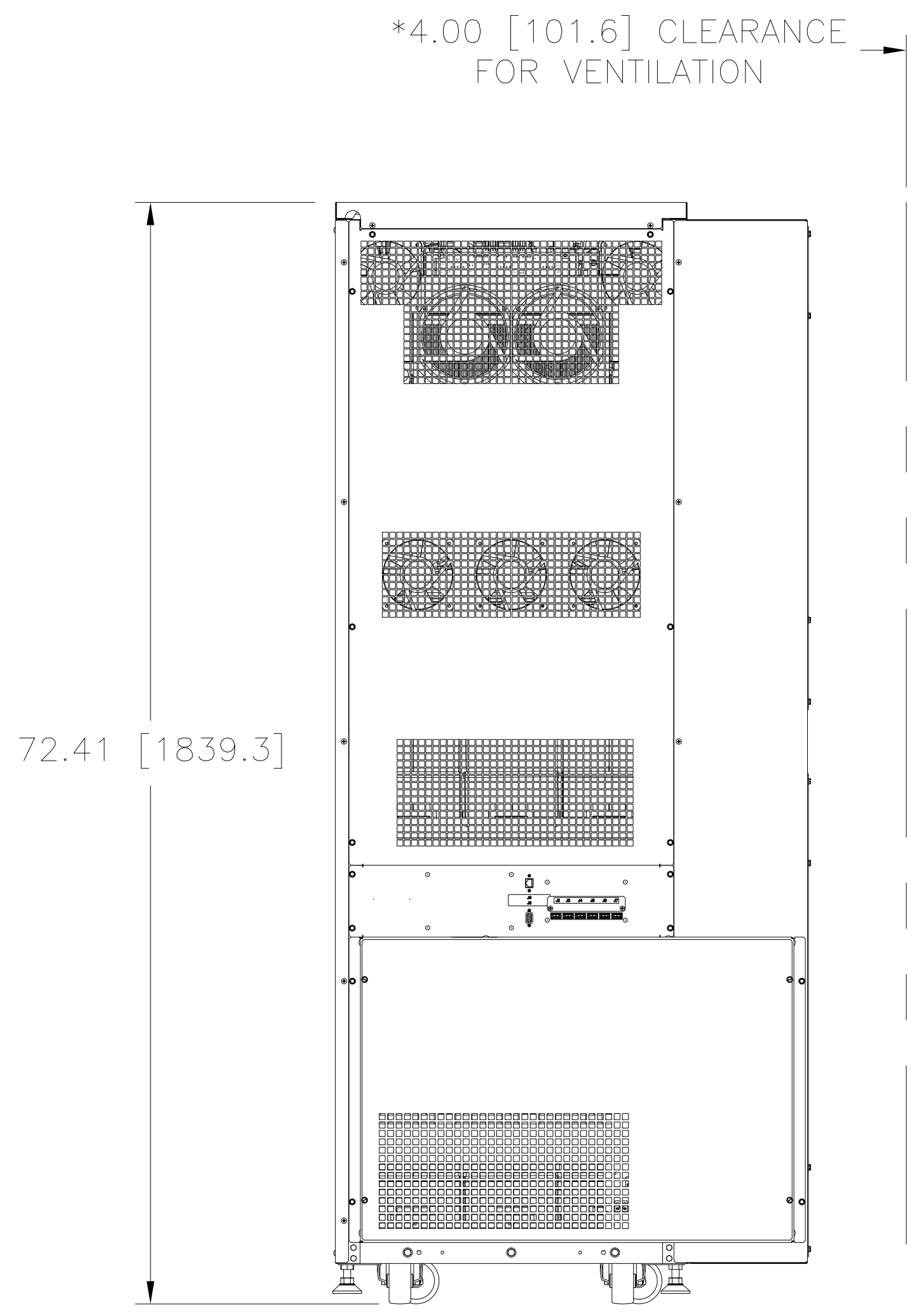
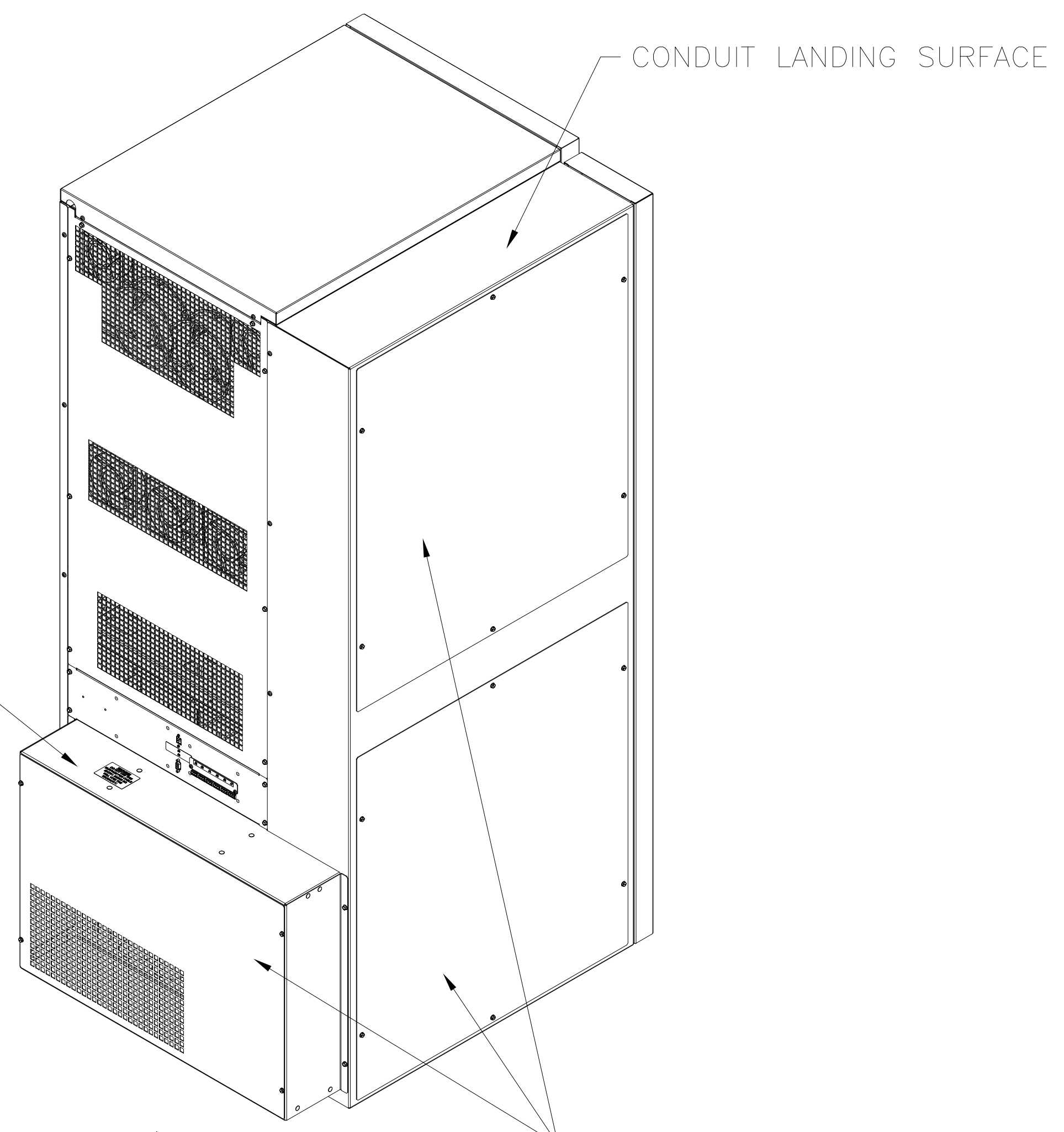
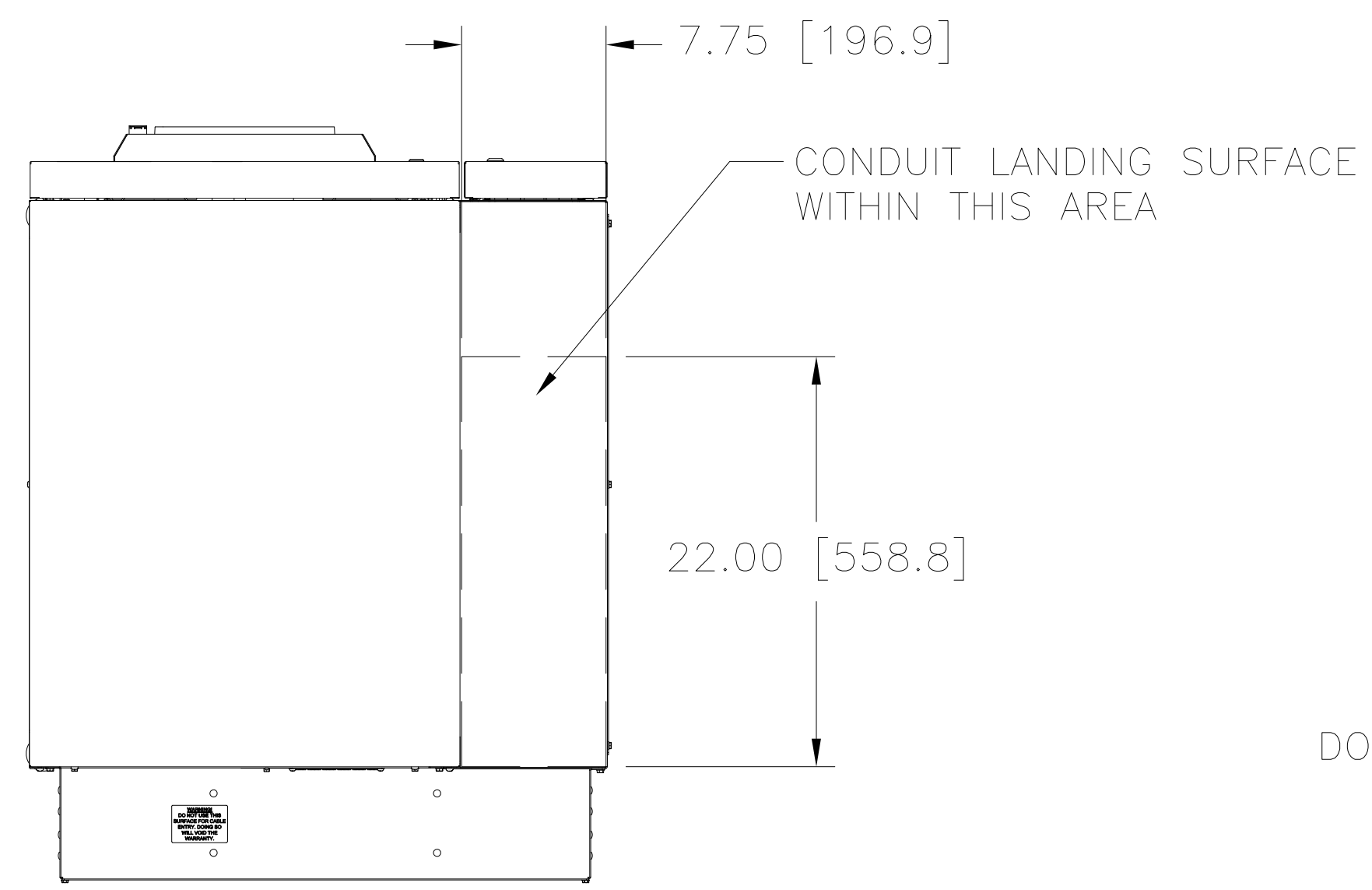


8 7 6 5 4 3 2 1

DWG. NO.	096-6133		
REVISIONS			
SYM.	E.C.O.	DATE	APVD.
A	29371	1/23/20	
ADD BREAKER QTY TO NOTE			



OUTPUT CIRCUIT BREAKERS
30 SINGLE POLE BREAKERS MAX.

*REAR CLEARANCE MUST BE 4" [101.6] FROM REAR OF UPS. THIS CLEARANCE CAN BE REDUCED TO MOUNT DIRECTLY AGAINST WALL IF THERE IS AT LEAST 4" [101.6] CLEARANCE ON BOTH SIDES.

UNLESS OTHERWISE SPECIFIED, TOLERANCE IS ±		UNITS		TITLE:	
DECIMALS	HOLES	ANGLES	DRAFT	PLT	
.xx .010	.005	1°	1-1/2°	OUTPUT DISTRIBUTION	
.xxx .005				OPTION 10-40 VA	
MATERIAL:		ALL DIMENSIONS APPLY AFTER PLATING		DRAWN BY	
				S.BARRETT	
				DATE	
				10/21/19	
				FIRST USED ON	
				DO NOT SCALE DWG.	
				CHECKER	
				S.A.SMITH	
				DATE	
				10/21/19	
				WEIGHT APPROX.	
				CAGE CODE	
				83008	
				ENGINEER	
				B.FOX	
				DATE	
				10/22/19	
				SCALE	
				1/8	
				SHEET 1 OF 1	
				DWG. NO.	
				096-6133	

8 7 6 5 4 3 2 1