

PROPOSED MODEL NUMBER

1 2 3 4 5 6 7 8 9 10 11 12 13 14 15 16 17 18 19 20

F L P - 0 4 0 T - 1 - 4 Y - 4 Y - X X X

SEPARATE BYPASS INPUT	
BLANK	SINGLE INPUT
2DB	208V DELTA INPUT; MAY BE PROVIDED ONLY ON MODELS WITH "2D-2Y"
2YB	208/120V WYE INPUT. MAY BE PROVIDED ONLY ON MODELS WITH "2Y-4Y"
4DB	480V DELTA INPUT. MAY BE PROVIDED ONLY ON MODELS WITH "4D-2Y"
4YB	480/277V WYE INPUT. MAY BE PROVIDED ONLY ON MODELS WITH "4Y-2Y"

INTERNAL INPUT/OUTPUT TRANSFORMER OR INTERNAL BATTERY #2	
BLANK	BATTERY STRING 2 AND TRANSFORMER NOT PROVIDED
0	BATTERY SHELF PROVIDED FOR STRING 2, BATTERIES AND TRAYS NOT INCLUDED
1	90W/23AH BATTERY STRING 2 PROVIDED
2	51W/13AH BATTERY STRING 2 PROVIDED
3	34W/8AH BATTERY STRING 2 PROVIDED
2D-2Y	208V DELTA INPUT; 208/120V WYE OUTPUT
2D-4Y	208V DELTA INPUT; 480/277V WYE OUTPUT
2Y-4Y	208/120 WYE INPUT; 480/277V WYE OUTPUT
4D-2Y	480V DELTA INPUT; 208/120V WYE OUTPUT
4D-4Y	480V DELTA INPUT; 480/277V WYE OUTPUT
4Y-2Y	480/277V WYE INPUT; 208/120V WYE OUTPUT
4Y-4Y	480/277V DELTA INPUT; 480/277V WYE OUTPUT

INTERNAL BATTERY STRING #1	
0	BATTERY SHELF PROVIDED, BUT BATTERIES AND BATTERY TRAY NOT INCLUDED
1	90W/23AH BATTERY STRING
2	51W/13AH BATTERY STRING
3	34W/8AH BATTERY STRING (NOT AVAILABLE FOR 40KVA MODELS)

KVA AND CABINET TYPE	
040T	40 KVA TALL
030T	30 KVA TALL

SERIES	
FLP	FIRSTLINE PL

DWG. NO. 096-6051

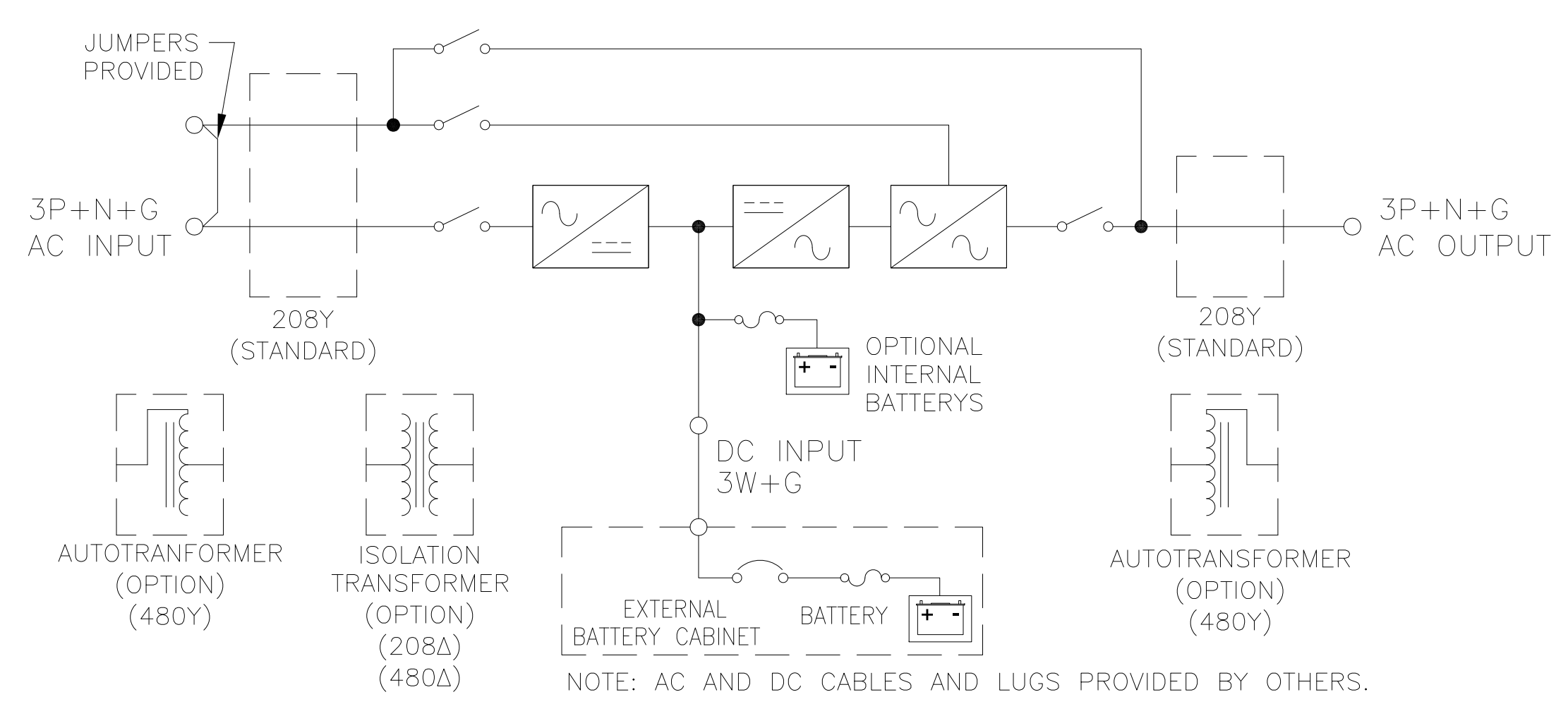
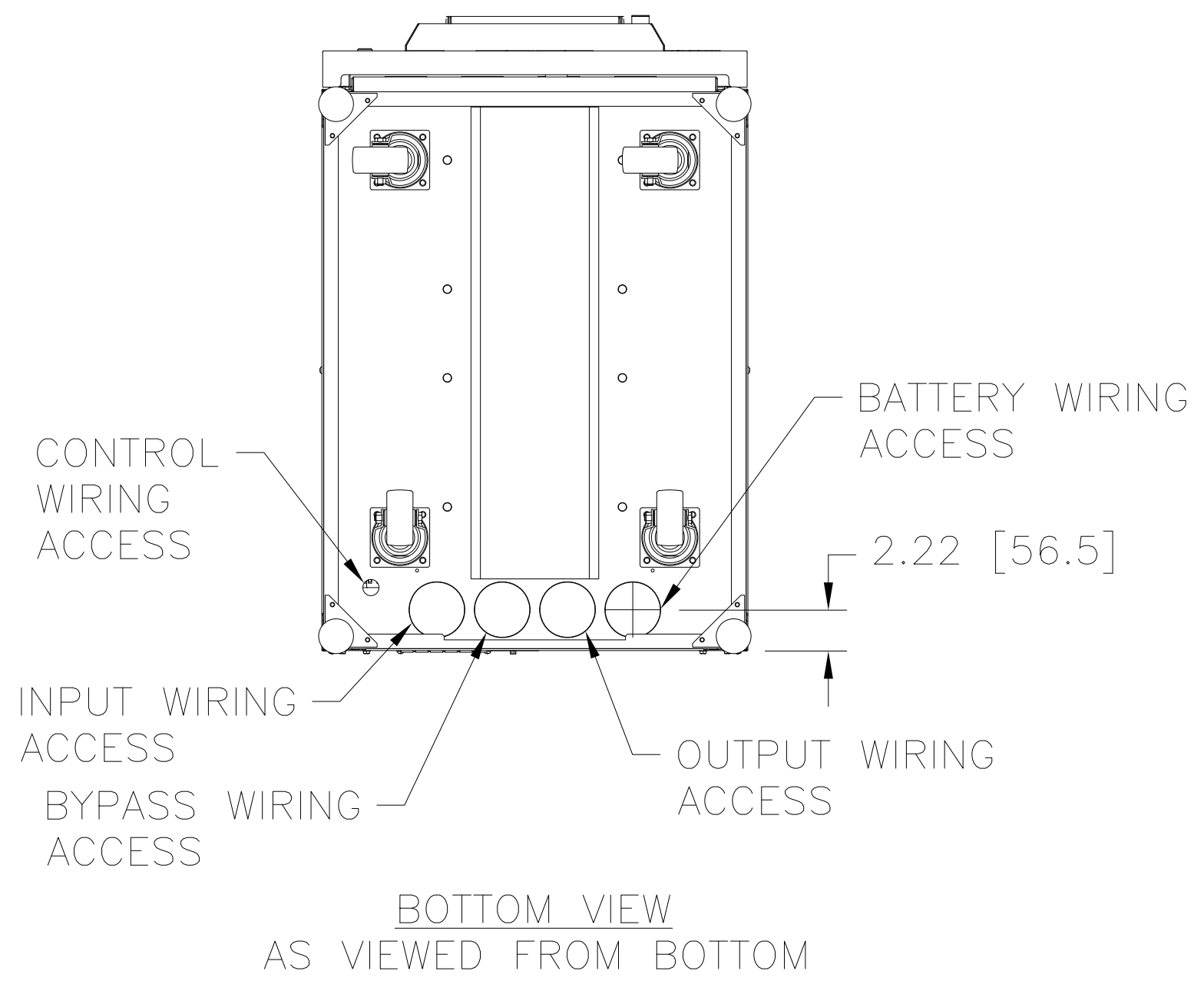
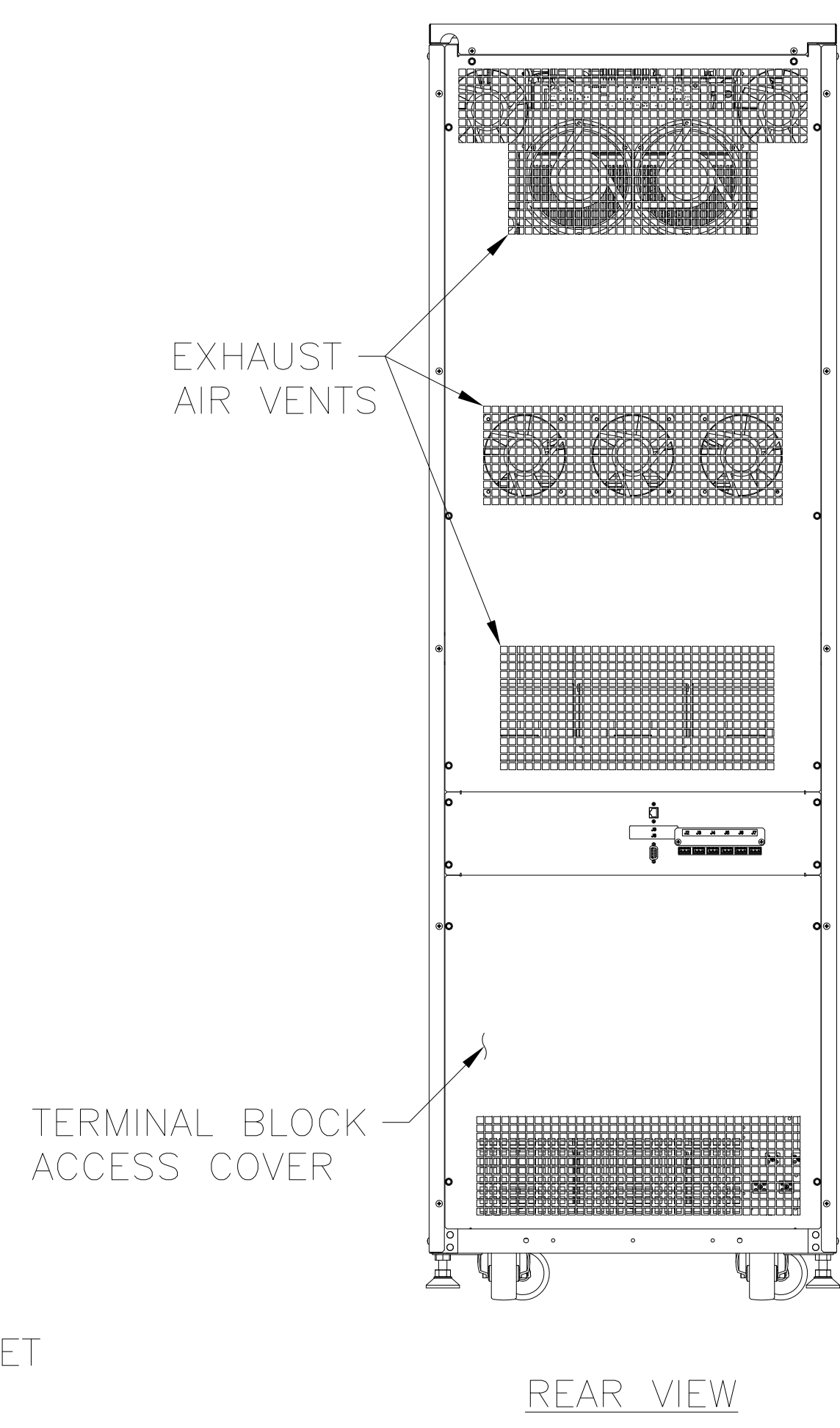
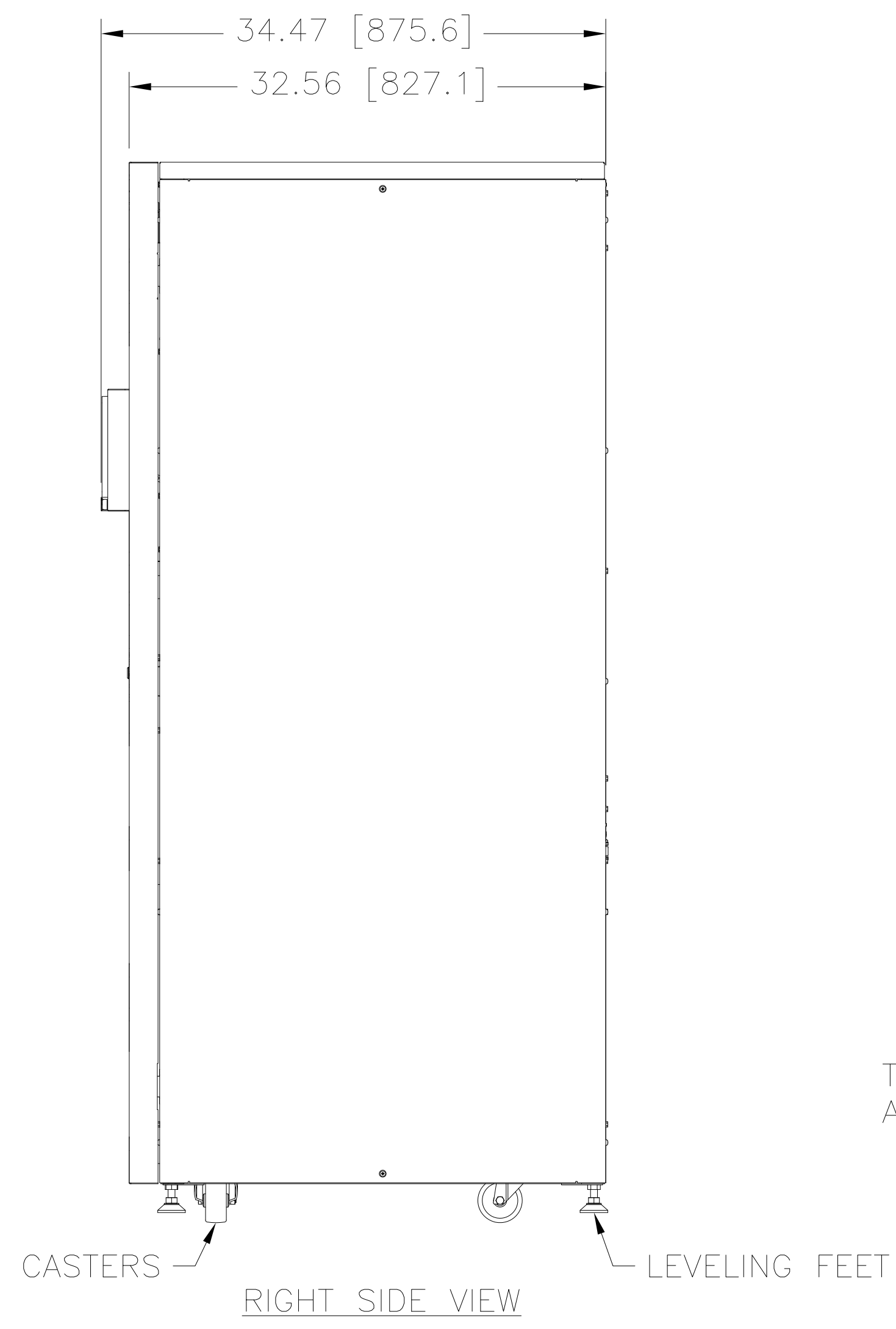
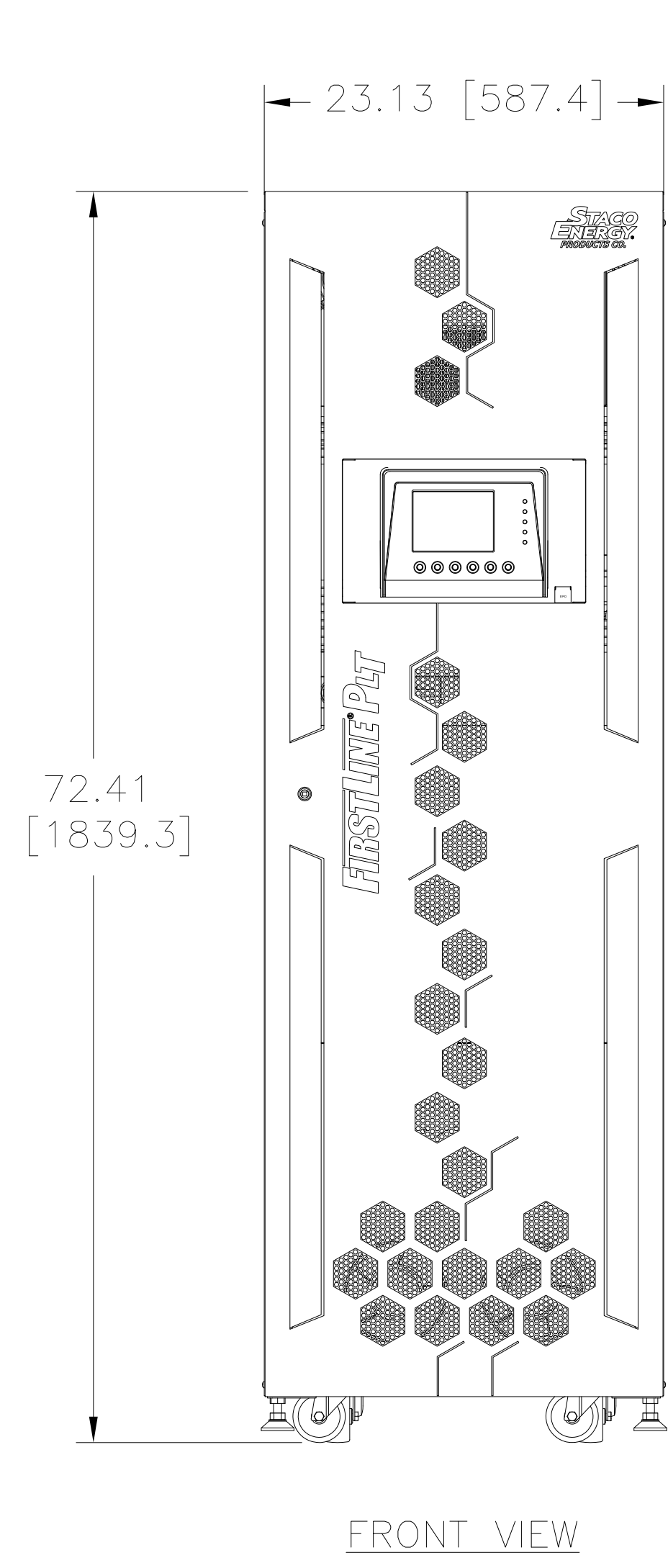
REVISIONS			
SYM.	E.C.O.	DATE	APVD.
A	28283	10/1/15	
UPDATES AND REVISIONS			
B	28288	10/13/15	
WAS PL. ADD FIRST PAGE & UPDATED SPECS.			
C	28457	4/12/16	
ADDED THIRD WEIGHT NOTE			
D	28532	6/29/16	
UPDATES & REVISIONS			
E	28771	3/2/17	
UPDATED WEIGHTS			
F	28799	4/3/17	
MINOR CHANGES			

UNLESS OTHERWISE SPECIFIED, TOLERANCE IS ±		UNITS		TITLE:	
DECIMALS	HOLES	ANGLES	DRAFT	SPECIFICATION CONTROL DRAWING	
.XX	.12	1°	1-1/2°	FIRSTLINE PLT	
.XXX	.005			UNINTERRUPTIBLE POWER SUPPLY	
MATERIAL:			ALL DIMENSIONS APPLY AFTER PLATING		
DRAWN BY		DATE	FIRST USED ON	DO NOT SCALE DWG.	
SLB		10/22/15			
CHECKER		DATE	WEIGHT APPROX.	CASE CODE	
B.FOX		10/26/15		83008	
ENGINEER		DATE	SCALE	SHEET 1 OF 5	
B.FOX		10/26/15	1/8		
				DWG. NO.	096-6051



A Components Corporation of America Company
301 Goodie Boulevard Dayton, Ohio 45403 USA

DWG. NO.	096-6051		
REVISIONS			
SYM.	E.C.G.	DATE	APVD.
A	28283	10/1/15	
UPDATES AND REVISIONS			
B	28288	10/13/15	
SEE SHEET 1			
C	28457	4/12/16	
SEE SHEET 1			
D	28532	6/29/16	
SEE SHEET 1			
E	28771	3/2/17	
SEE SHEET 1			
F	28799	4/3/17	
SEE SHEET 1			



SUMMARY OF EQUIPMENT

THE FIRSTLINE PLT UNINTERRUPTIBLE POWER SUPPLY (UPS) IS A TRUE ON-LINE, DOUBLE CONVERSION, PARALLELABLE, THREE PHASE SYSTEM THAT CAN PREVENT THE LOSS OF ELECTRONIC INFORMATION AND MINIMIZE EQUIPMENT DOWN TIME.

THE FIRSTLINE PLT UPS CONSTANTLY MONITORS THE INCOMING ELECTRICAL POWER AND PROTECTS THE CONNECTED LOAD BY REMOVING VOLTAGE SPIKES, SAGS, TRANSIENTS, AND OTHER DAMAGING IRREGULARITIES THAT ARE COMMON IN COMMERCIAL UTILITY POWER. THE UPS SUPPLIES THE CLEAN, CONSISTENT POWER THAT SENSITIVE ELECTRONIC EQUIPMENT REQUIRES FOR RELIABLE OPERATION. DURING BROWNOUTS, BLACKOUTS AND OTHER POWER INTERRUPTIONS, THE BATTERIES PROVIDE EMERGENCY POWER TO SAFEGUARD OPERATION.

THE FRONT DISPLAY PANEL PROVIDES ACCESS TO DETAILED INFORMATION REGARDING THE STATUS OF THE UTILITY, LOAD AND FIRSTLINE PLT UPS.

THE BLOCK DIAGRAM BELOW SHOWS THE MAIN FUNCTIONAL SUBASSEMBLIES OF THE FIRSTLINE PLT UPS. THE AC THREE PHASE UTILITY SUPPLY IS RECTIFIED TO PROVIDE DIRECT CURRENT, THE INVERTER WHICH PROVIDES THE THREE PHASE OUTPUT, AND ELECTRONIC STATIC SWITCH.

THE INVERTER HAS ITS OWN INTERNAL CONTROL TO STABILIZE THE OUTPUT FREQUENCY IF THE UTILITY FREQUENCY IS OUT OF LIMITS. THE ELECTRONIC STATIC SWITCH SWITCHES THE OUTPUT FROM THE INVERTER TO THE UTILITY, WITHOUT INTERRUPTION, TO MEET ANY LOAD CURRENT SURGES.

ENVIRONMENTAL

- OPERATING TEMPERATURE: 0°C TO 40°C
- ALTITUDE: 0-3300 FEET [1000 METERS] (WITHOUT DERATING)
- RELATIVE HUMIDITY: 0-95%, NON-CONDENSING

SERVICE/VENTILATION CLEARANCES

- FROM TOP OF CABINET: 18.00 [457.2]
- FROM FRONT OF CABINET: 36.00 [914.4]
- FROM REAR OF CABINET: 8.00 [203.2]*

UL LISTED TO UL 1778, FILE NO.: E191175

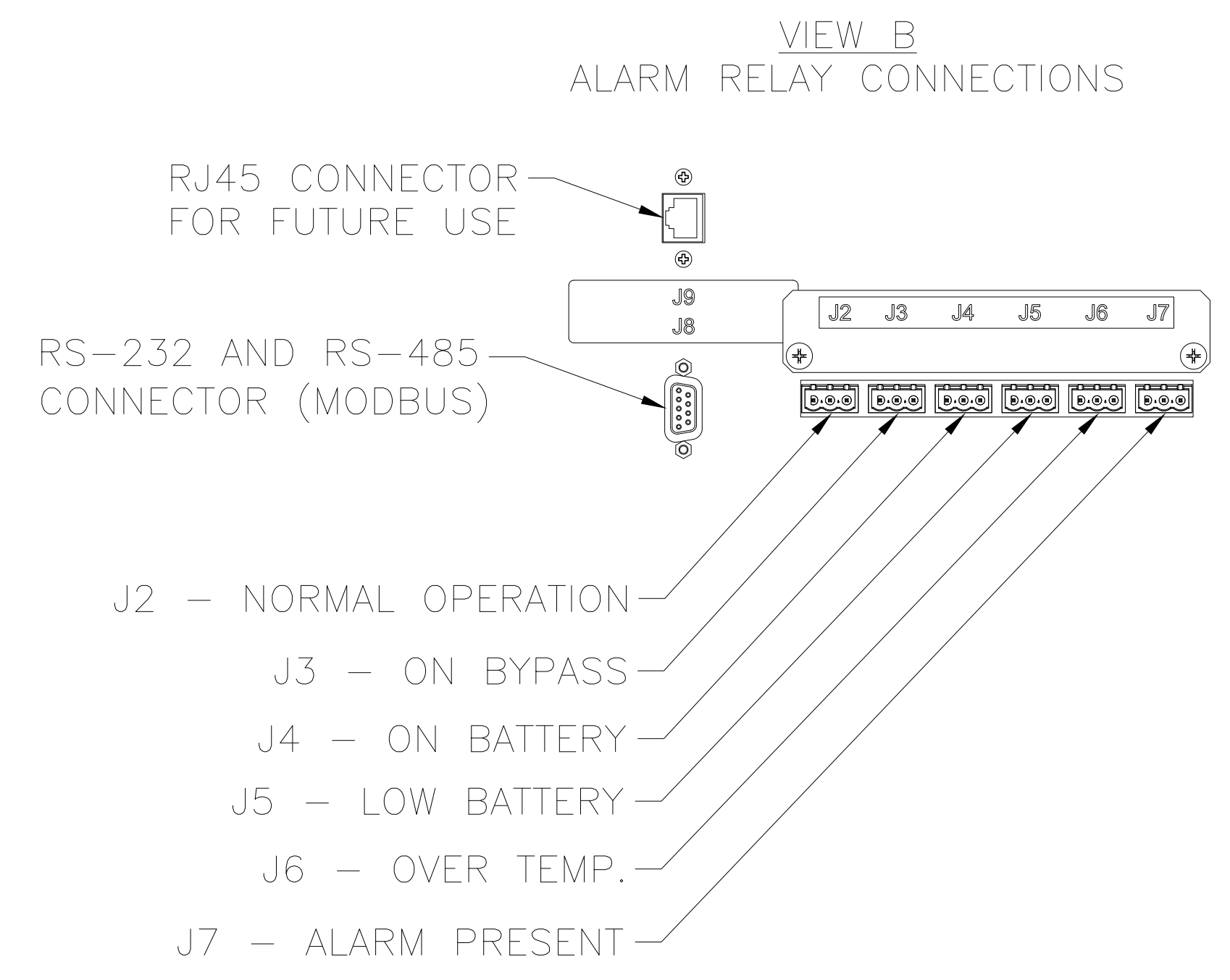
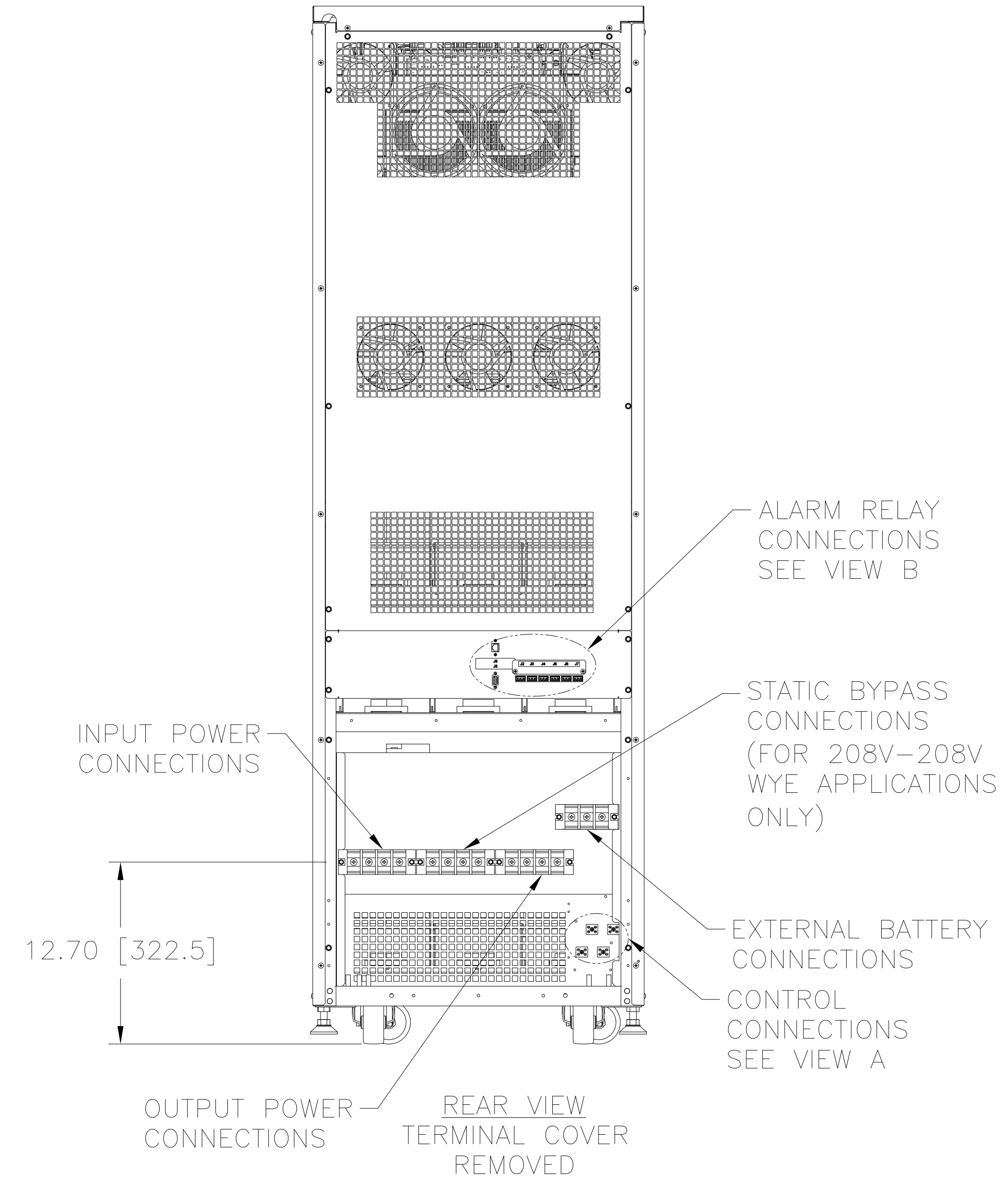
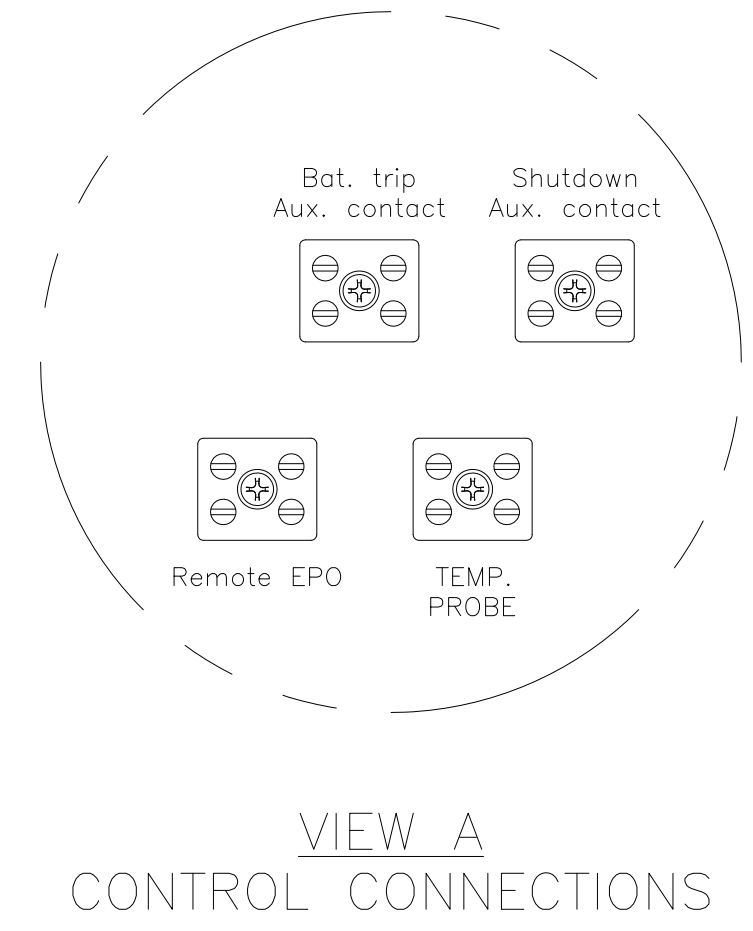
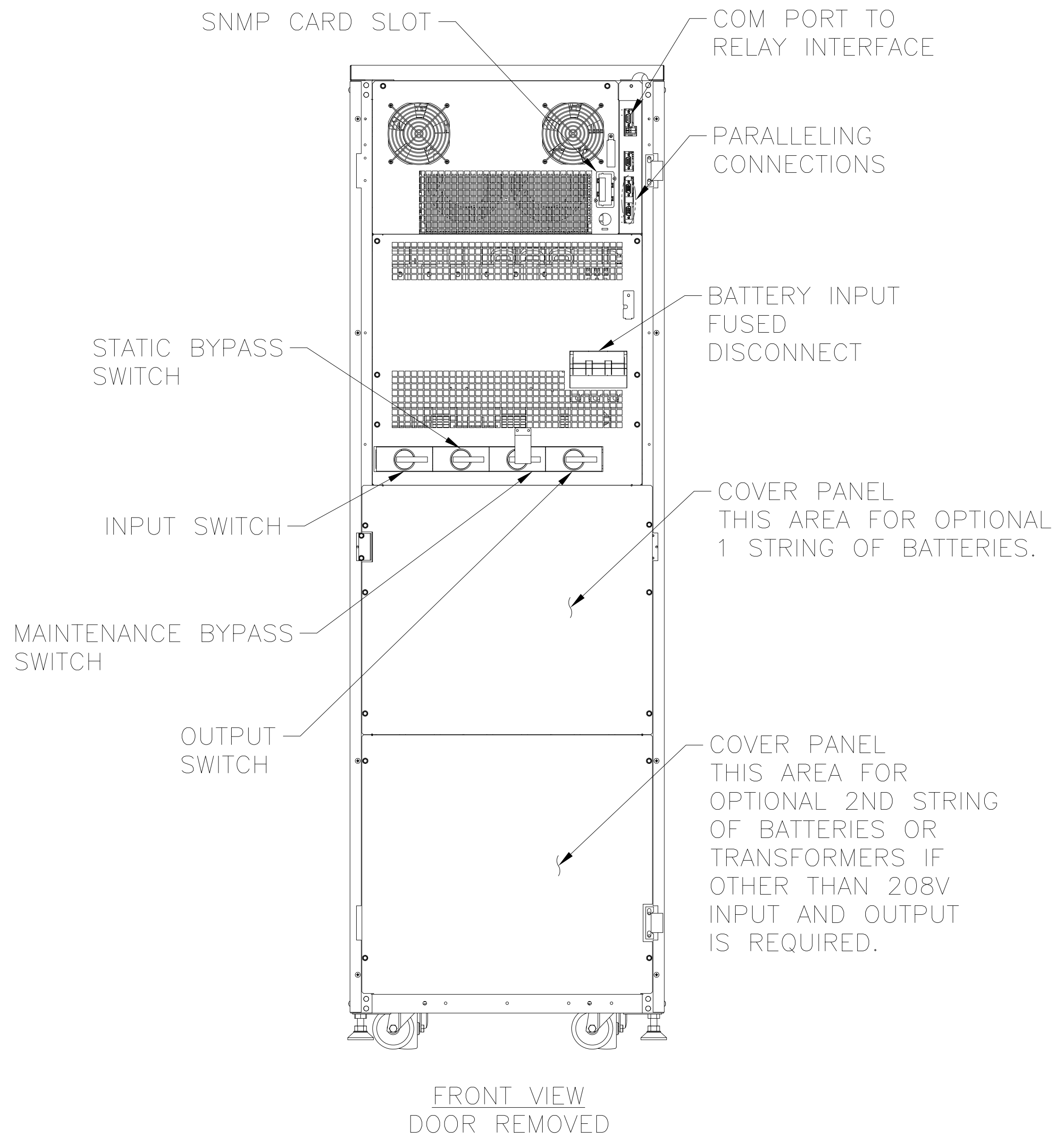
NOTES:

REAR CLEARANCE CAN BE REDUCED TO 3" [76.2] IF THERE IS AT LEAST 4" [101.6] CLEARANCE ON BOTH SIDES.

UNLESS OTHERWISE SPECIFIED, TOLERANCE IS ±		UNITS		TITLE: SPECIFICATION CONTROL DRAWING	
DECIMALS	HOLE	ANGLES	DRAFT	FIRSTLINE PLT	
.XX	.012	1°	1-1/2°	UNINTERRUPTIBLE POWER SUPPLY	
.XXX	.005			DRAWN BY: S.A. SMITH	
MATERIAL:				DATE: 7/27/15	
ALL DIMENSIONS APPLY AFTER PLATING.				FIRST USED ON: []	
The information and design disclosed herein was originated by and is the property of STACO ENERGY PRODUCTS CO., which reserves all patent, proprietary, design, manufacturing, reproduction, use and sale rights thereto, and to any article disclosed therein except to the extent rights are expressly granted to others. The foregoing does not apply to vendor proprietary parts.				DO NOT SCALE DWG.	
CHECKER: B. FOX		DATE: 9/2/15		WEIGHT APPROX. 8300G	
ENGINEER: B. FOX		DATE: 9/2/15		SCALE: 1/8	
				SHEET 2 OF 5	
				DWC. NO. 096-6051	



DWG. NO.	096-6051		
REVISIONS			
SYM.	E.C.O.	DATE	APVD.
A	28283	10/1/15	
UPDATES AND REVISIONS			
B	28288	10/13/15	
SEE SHEET 1			
C	28457	4/12/16	
SEE SHEET 1			
D	28532	6/29/16	
SEE SHEET 1			
E	28771	3/2/17	
SEE SHEET 1			
F	28799	4/3/17	
SEE SHEET 1			



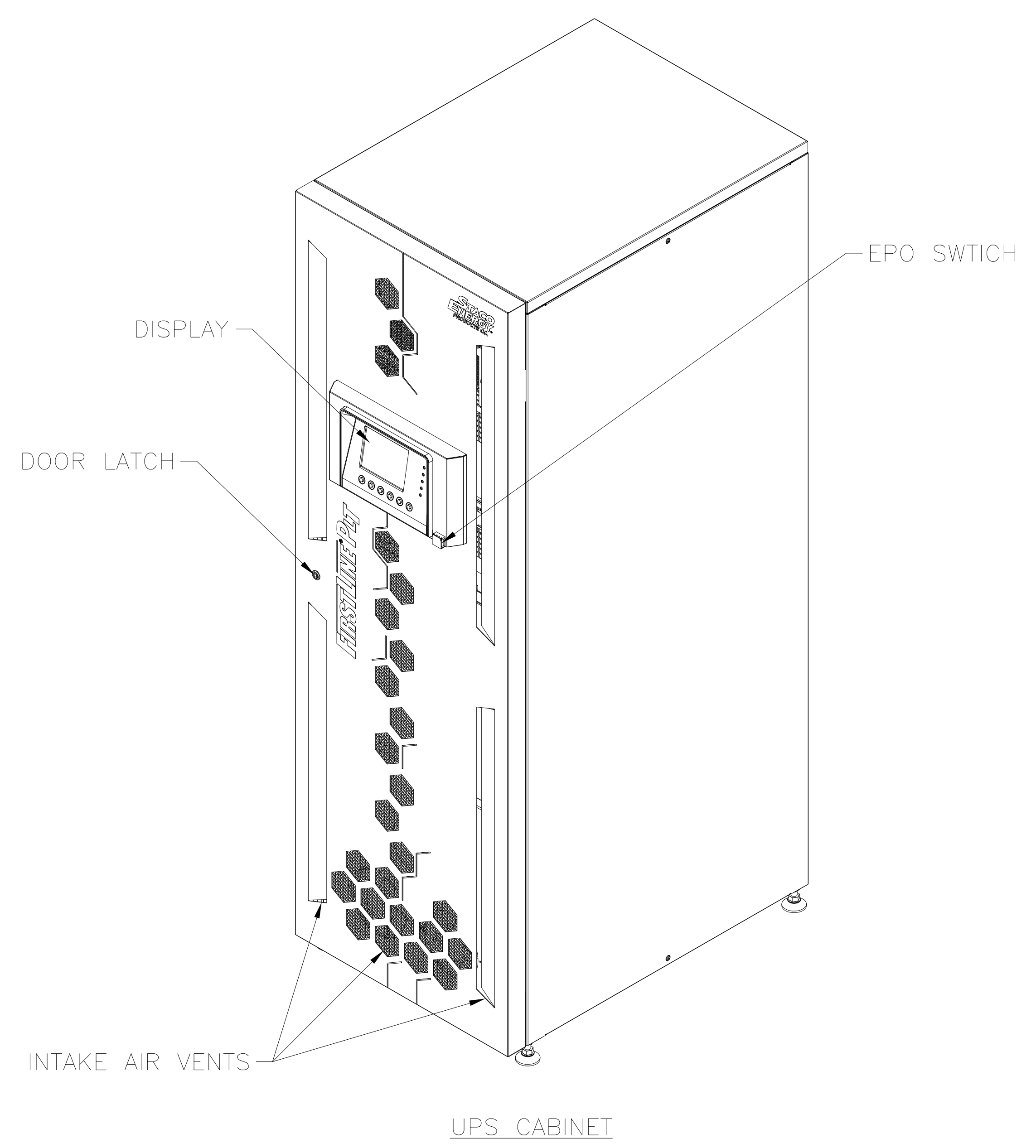
TERMINAL BLOCK CONNECTION DATA
 POWER AND BATTERY TERMINAL SCREW SIZE: M8
 POWER AND BATTERY TERMINAL TORQUE: 30 IN-LBS (3.4 N-M)
 CONTROL TERMINAL BLOCKS TORQUE: 6 IN-LBS (0.7 N-M)

UNLESS OTHERWISE SPECIFIED, TOLERANCE IS ±		UNITS		TITLE:	
DECIMALS	HOLES	ANGLES	DRAFT	SPECIFICATION CONTROL DRAWING	
.XX	.12	1°	1-1/2°	FIRSTLINE PLT	
.XXX	.005			UNINTERRUPTIBLE POWER SUPPLY	
MATERIAL:			ALL DIMENSIONS APPLY AFTER PLATING		
DRAWN BY		DATE	FIRST USED ON	DO NOT SCALE DWG.	
S.A. SMITH		7/27/15			
CHECKER		DATE	WEIGHT APPROX.	CASE CODE	
B. FOX		9/2/15		83008	
ENGINEER		DATE	SCALE	SHEET 3 OF 5	
B. FOX		9/2/15	.15		
DWG. NO.		DWG. NO.		DWG. NO.	
D 096-6051		D 096-6051		D 096-6051	



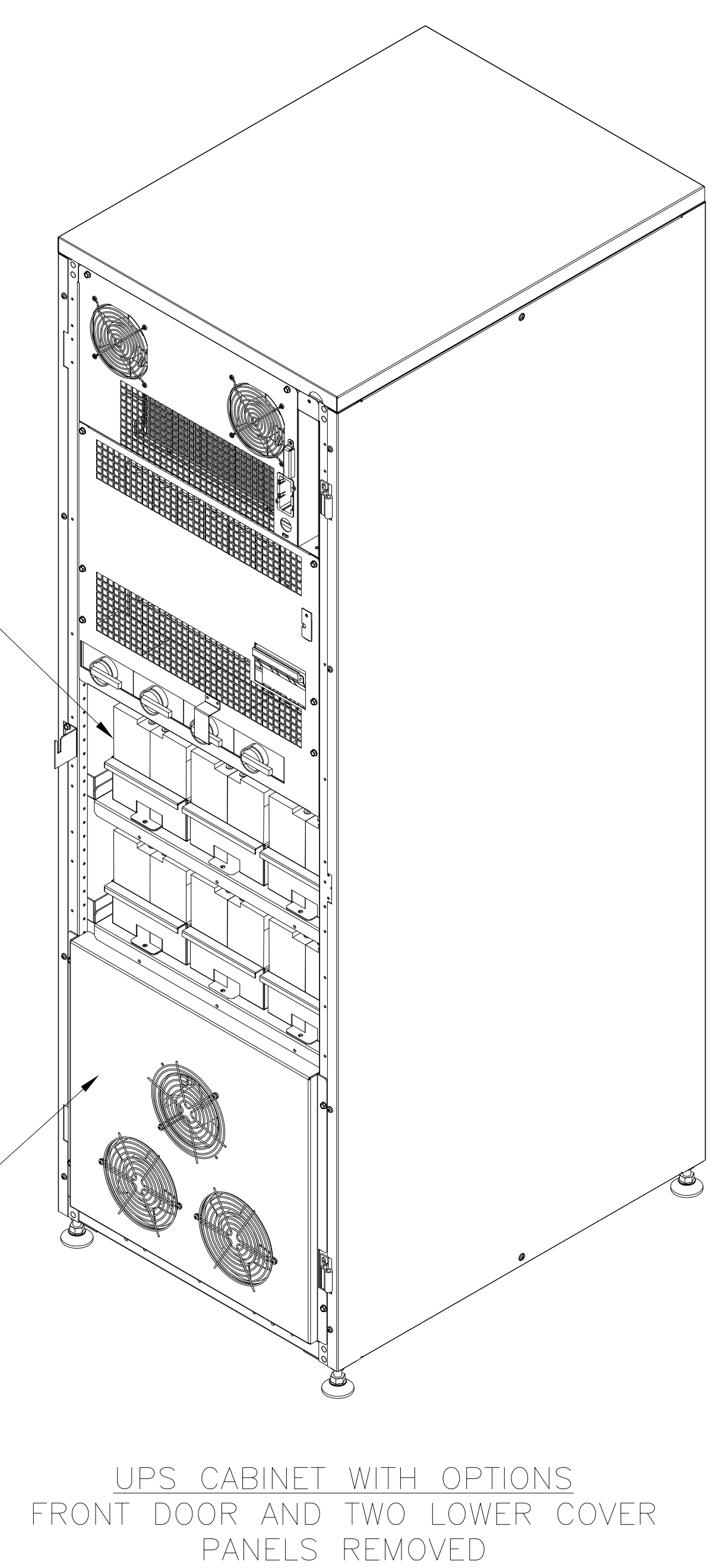
The information and design disclosed herein was originated by and is the property of STACO ENERGY PRODUCTS CO., which reserves all patent, proprietary, design, manufacturing, reproduction, use and sale rights thereto, and to any article disclosed therein except to the extent rights are expressly granted to others. The foregoing does not apply to vendor proprietary parts.


DWG. NO.	096-6051		
REVISIONS			
SYM.	E.C.O.	DATE	APVD.
D	28532	6/29/16	SEE SHEET 1
E	28771	3/2/17	SEE SHEET 1
F	28799	4/3/17	SEE SHEET 1



OPTIONAL INTERNAL BATTERIES – SINGLE STRING. SECOND STRING CAN BE ADDED IN LOWER COMPARTMENT IF NO TRANSFORMERS ARE REQUIRED.

LOWER COMPARTMENT FAN PANEL USED ONLY IF TRANSFORMERS ARE REQUIRED.



UNLESS OTHERWISE SPECIFIED, TOLERANCE IS ±		UNITS		TITLE: SPECIFICATION CONTROL DRAWING					
DECIMALS	HOLES	ANGLES	DRAFT	FIRSTLINE PLT					
.XX	.12	1°	1-1/2°	UNINTERRUPTIBLE POWER SUPPLY				<small>A Components Corporation of America Company 304 Goodie Boulevard Dayton, Ohio 45403 USA</small>	
MATERIAL:				ALL DIMENSIONS APPLY AFTER PLATING				DRAWN BY: SLB CHECKER: B.FOX ENGINEER: B.FOX	DO NOT SCALE DWG. WEIGHT APPROX.: 8300g SCALE: .15 SHEET 4 OF 5
<small>The information and design disclosed herein was originated by and is the property of STACO ENERGY PRODUCTS CO., which reserves all patent, proprietary, design, manufacturing, reproduction, use and sale rights thereto, and to any article disclosed therein except to the extent rights are expressly granted to others. The foregoing does not apply to vendor proprietary parts.</small>								DWG. NO.: 096-6051	

DWG. NO.	096-6051		
REVISIONS			
SYM.	E.C.G.	DATE	APVD.
D	28532	6/29/16	SEE SHEET 1
E	28771	3/2/17	SEE SHEET 1
F	28799	4/3/17	SEE SHEET 1

FIRSTLINE PLT SPECIFICATIONS									
kVA	RECTIFIER INPUT (3-PHASE, 60HZ)		OUTPUT (3-PHASE, 60HZ)		DC		NUMBER OF BATTERY STRING	MAXIMUM WEIGHT LBS	BTU/hr
	VAC	CURRENT	VAC	CURRENT	VDC	CURRENT			
30	208Y/120	98	208Y/120	83	432	80	1	1230	7000
30	208Δ	100	208Y/120	83	432	80	1	1629	9500
30	480Δ	43	208Y/120	83	432	80	1	1629	9500
30	480Y/277	43	208Y/120	83	432	80	1	1464	8500
30	480Y/277	44	480Y/277	36	432	81	1	1729	10000
30	208Δ	102	480Y/277	36	432	81	1	1894	11100
30	208Y/120	99	480Y/277	36	432	81	1	1464	8500
30	480Δ	44	480Y/277	36	432	81	1	1894	11100
30	208Y/120	98	208Y/120	83	432	80	2	1770	7000
40	208Y/120	130	208Y/120	111	432	106	1	1230	9300
40	208Δ	134	208Y/120	111	432	106	1	1633	12700
40	480Δ	58	208Y/120	111	432	106	1	1649	12700
40	480Y/277	57	208Y/120	111	432	106	1	1469	11300
40	480Y/277	58	480Y/277	48	432	108	1	1739	13300
40	208Δ	136	480Y/277	48	432	108	1	1903	14700
40	208Y/120	132	480Y/277	48	432	108	1	1469	11300
40	480Δ	59	480Y/277	48	432	108	1	1919	14700
40	208Y/120	130	208Y/120	111	432	106	2	1770	9300

1. ALL WEIGHTS ARE IN POUNDS
2. WEIGHT WITH 90W BATTERIES.
FOR 51 W BATTERIES, SUBTRACT 234 LBS PER STRING.
FOR 34W BATTERIES, SUBTRACT 341 LBS PER STRING.
3. BASE UNIT WITH NO BATTERIES OR TRANSFORMERS WEIGHS 659 LBS.

UNLESS OTHERWISE SPECIFIED, TOLERANCE IS ±		UNITS		TITLE:	
DECIMALS	HOLES	ANGLES	DRAFT	SPECIFICATION CONTROL DRAWING	
.XX	.12	1°	1-1/2°	FIRSTLINE PLT	
.XXX	.005			UNINTERRUPTIBLE POWER SUPPLY	
MATERIAL:			ALL DIMENSIONS APPLY AFTER PLATING		
DRAWN BY		DATE	FIRST USED ON	DO NOT SCALE DWG.	
SLB		6/29/16			
CHECKER		DATE	WEIGHT APPROX.	CASE CODE	
B.FOX		7/1/16		83008	
ENGINEER		DATE	SCALE	SHEET 5 OF 5	
B.FOX		7/1/16	1/1		



DWG. NO. 096-6051

The information and design disclosed herein was originated by and is the property of STACO ENERGY PRODUCTS CO., which reserves all patent, proprietary, design, manufacturing, reproduction, use and sale rights thereto, and to any article disclosed therein except to the extent rights are expressly granted to others. The foregoing does not apply to vendor proprietary parts.